

GLÖTZL Baumeßtechnik

2-CHANNEL READOUT UNIT

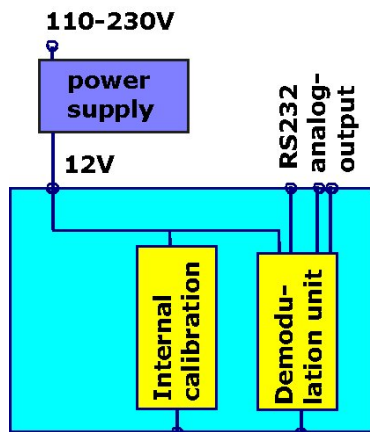
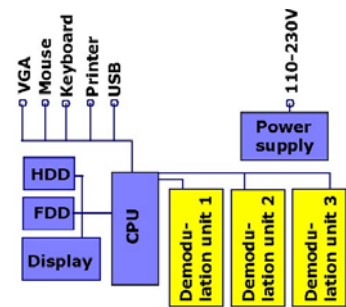
Typ: AWE-AOS

Art.-Nr.: 101...

The readout unit is developed for monitoring Fiber Bragg grating sensors like strain or temperature sensors. The accuracy of the unit can be improved by a stabilized reference grating. It is suitable as well for the long-term monitoring of buildings as for measuring vibrations.



Stand-alone version with internal PC and TFT color display



Interrogation unit without PC
(analog or serial RS-232 output)

Specifications

Working Wavelength*	1520 nm...1560 nm
Resolution	0.1 K resp. 1 μ strain
Accuracy**	\pm 2.5 K resp. \pm 25 μ strain
Sampling Rate	1000 Samples/sec.
Optical Input	Singlemode, FC/APC
Operating Voltage	230VAC/50Hz - 110VAC/60Hz

* Other wavelengths on request

** Can be improved by an internal reference grating