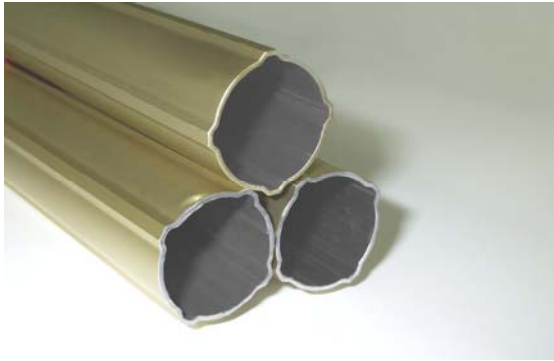


GLÖTZL Baumeßtechnik

MEASURING TUBES for BOREHOLE LENGTH MEASURING PROBE

Type ALU BES-RA 50

Art. No.: 77.09



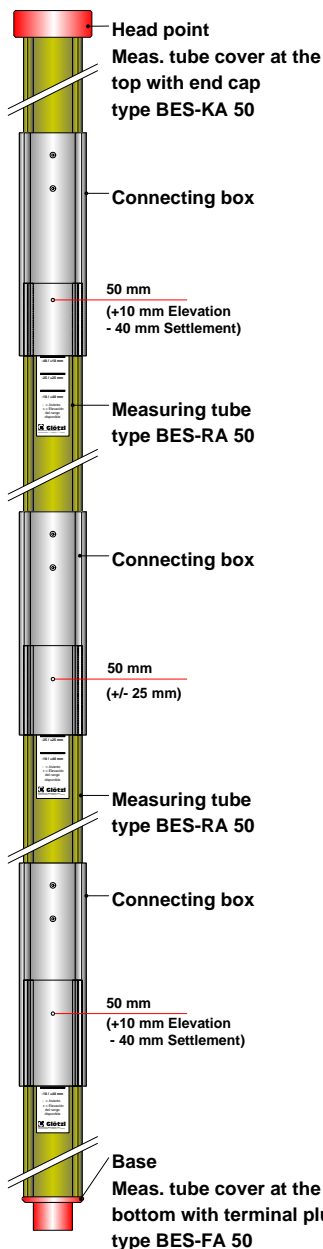
Technical data:

- Aluminium measuring tube for borehole length measuring probe in lengths of 1 m each
- No pressurized watertight model of aluminium
- Nominal diameter 50 mm
- Stable execution, wall thickness 2 mm

Meas. tube: Alu Ø 49/53 mm with 4 grooves, length 1 m

Couplings: Alu Ø 54/58 mm with 4 grooves, telescopic model for total 50 mm meas. length, no pressurized watertight model

Spec. weight: Tube incl. interior space 0.7 kg/m



Specifications:

- Material: Aluminium anodized
- Length each [m]: 1,00

| Type | A [mm] | B [mm] | C [mm] | D [mm] |
|------|--------|--------|--------|--------|
| 2" | 49 | 53 | 54 | 58 |

Article numbers:

- Meas. tube, type ALU BES-RA 50, basic length 1 m incl assembly accessories
- Head point, type BES-KA 50
- Base, type BES-FA 50

77.09.01

77.09.01.11

77.09.01.10

Assembly types:

Tubes/couplings prefitted by factory. Before starting the assembly, it is determined, in which position the tubes have to be riveted together.

Three prepared positions are available, provided with markings:

Standard: +/-25 mm elevation and settlement

Settlement: +10 mm elevation and -40 mm settlement

Elevation: +40 mm elevation and -10 mm settlement

Hereto also see figure on the right.

The left figure shows the assembly positions.



Type PVC BES-RM 60

Art. No.: 77.12



Technical data:

- PVC measuring tube for borehole length measuring probe in lengths of 1 m each
- Pressurized watertight model of PVC
- Nominal diameter 60 mm
- By plane surface, an execution in seals is simply possible.
- Stable execution, wall thickness 5 mm

Meas. tubes: PVC Ø 60/70 mm with 4 grooves

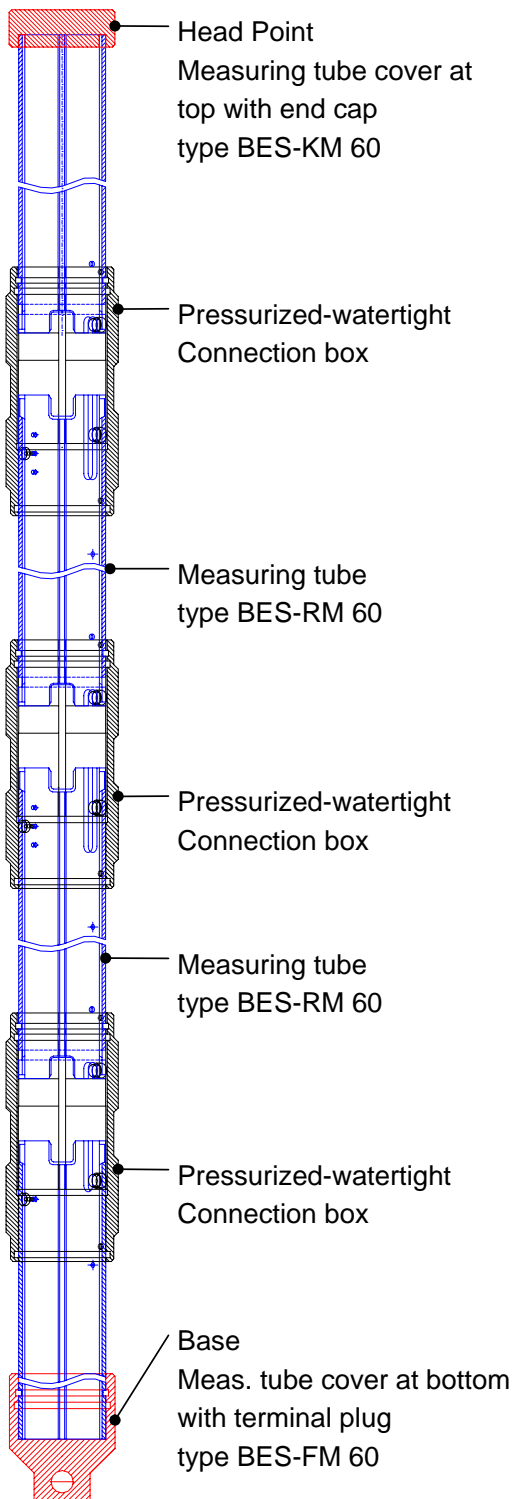
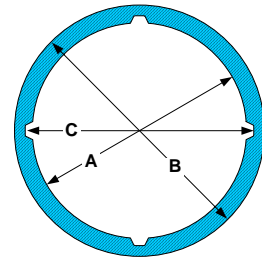
Couplings: PVC Ø 70/90 mm with 4 grooves, telescopic execution for total 50 mm meas. length, O-ring seal

Weight: Tube incl. coupling 2.2 kgs

Specifications:

- Material: PVC; length each tube: 1.05 m incl. coupling
- Outer diameter of coupling: 90 mm
- Length of coupling: 200 mm, material: PVC grey
- Length of each tube: 950 mm

| Type | A [mm] | B [mm] | C [mm] |
|-------|--------|--------|--------|
| 2.75" | 60 | 70 | 65 |



Article numbers:

- Meas. tube, type PVC BES-RM 60, basic length 1 m incl. assembly accessories 77.12.01
- Head point, type BES-KM 60 77.12.01.11
- Base, type BES-FM 60 w. telescopic coupling 77.12.01.10

Assembly types:

Tubes/couplings are prefitted in factory. Before starting the assembly, it must be determined, in which position the tubes should be riveted to each other.

Three prepared positions are available, provided with markings (prefitted in the factory acc. to indications of client):

Standard: +/-25 mm elevation and settlement

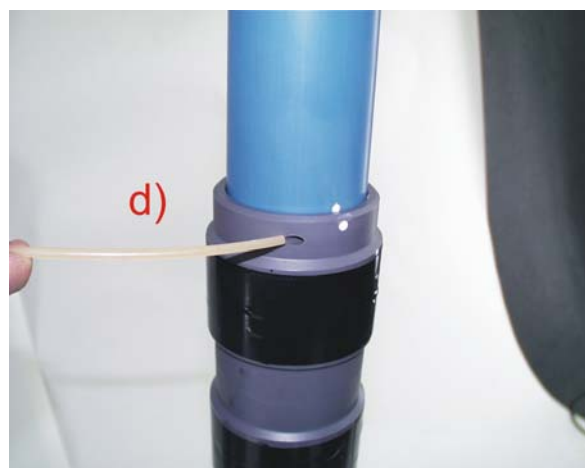
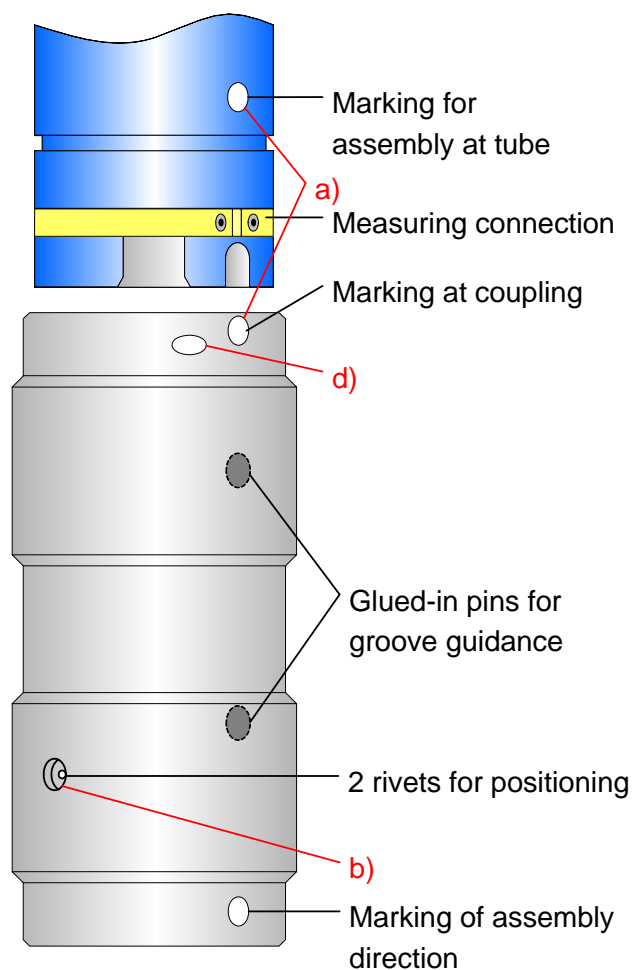
Settlement: +10 mm elevation and -40 mm settlement

Elevation: +40 mm elevation and -10 mm settlement

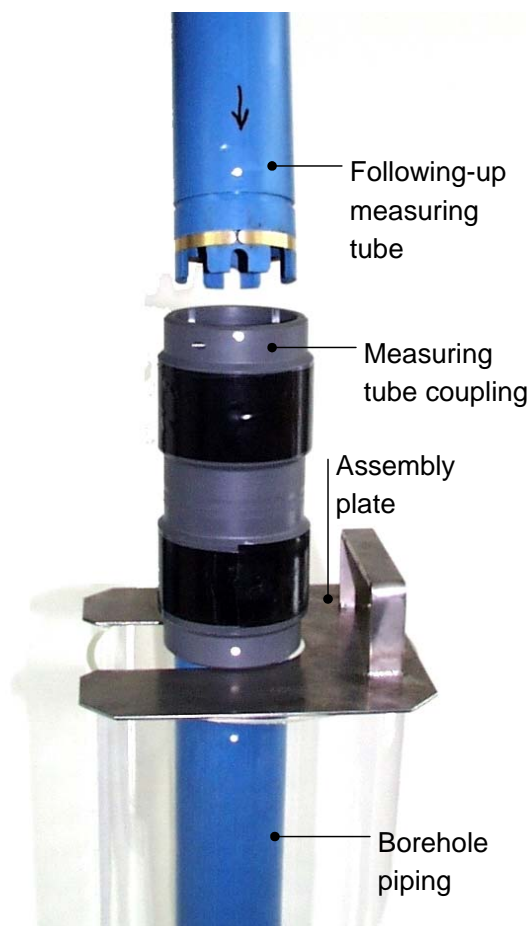
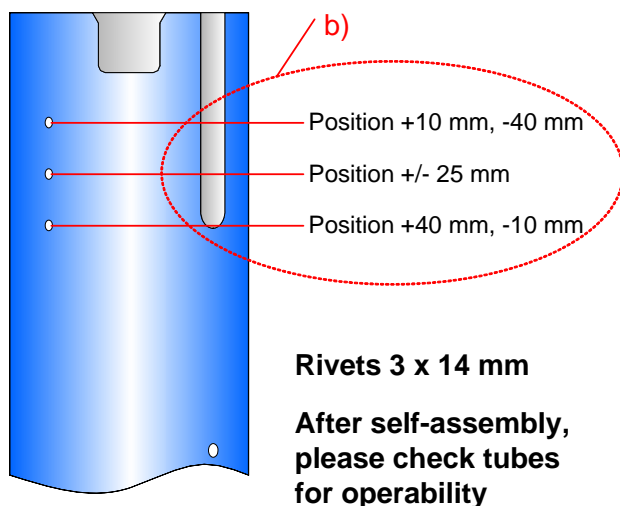
Type PVC BES-RM 60

Art. No.: 77.12

Arrangement and assembly of tube connection



- a) For assembly, the marking points must stand opposite to each other.
- b) Preassembly of the required measuring position by factory, with 2 grooves 3x14 mm, seal by silicone and adhesive tape
- c) Before installation of the measuring tube, the coupling side (with O-ring) and the tube end must be sprayed with teflon spray for a better sliding into the O-ring.
- d) Quick and easy fixing of the follow-up tube with coupling by a protective rod.



Type ABS BES-RK 50

Art. No.: 77.11



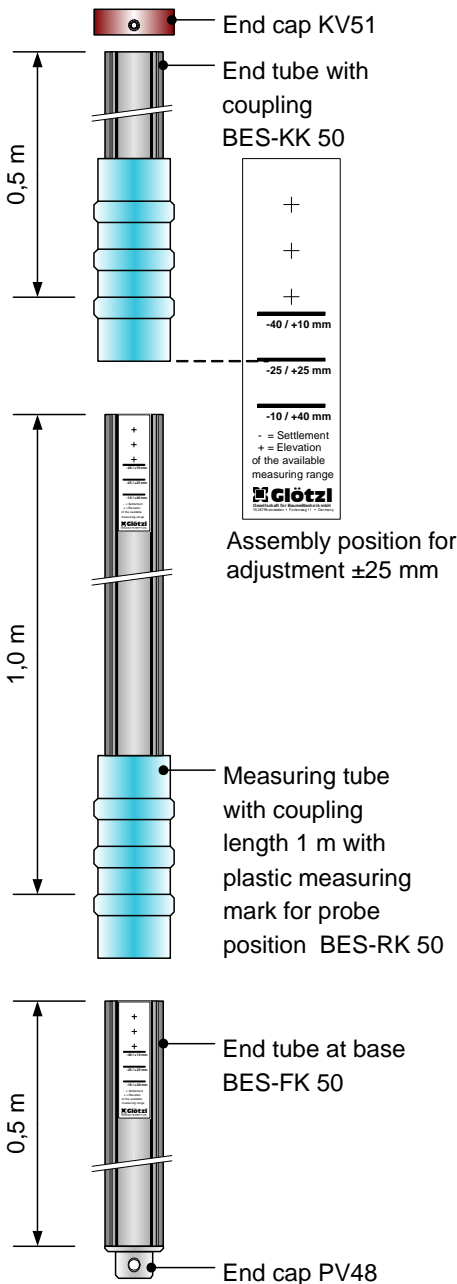
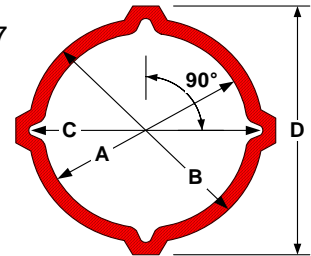
Application ranges:

- For long-term measuring tasks
- Standard instrumentation for up to approx. 50 m boring
- On account of its lower self-stability, more suitable for recording of smaller local deformations.
- Restriction: Smaller self-rigidity

Specifications:

- Material: ABS
- Length each tube [m]: 1,00
- Outer diameter of coupling [mm]: 67

| Type | A [mm] | B [mm] | C [mm] | D [mm] |
|------|--------|--------|--------|--------|
| 2" | 47 | 55 | 54 | 60 |



Article numbers:

- Measuring tube, type ABS BES-RK 50, basic length 1 m incl. assembly accessories 77.11.01
- Head point, type BES-KK 50 77.11.01.11
- Base, type BES-FK 50 77.11.01.10

Assembly types:

Tubes/couplings are prefitted in factory. Before starting the assembly, it must be determined, in which position the tubes should be riveted to each other.

Three prepared positions are available, provided with markings:

Standard: +/-25 mm elevation and settlement

Settlement: +10 mm elevation and -40 mm settlement

Elevation: +40 mm elevation and -10 mm settlement

Subject to technical alterations