

GLÖTZL Baumeßtechnik

PCMFA – Measuring Device

Type: PCMFA

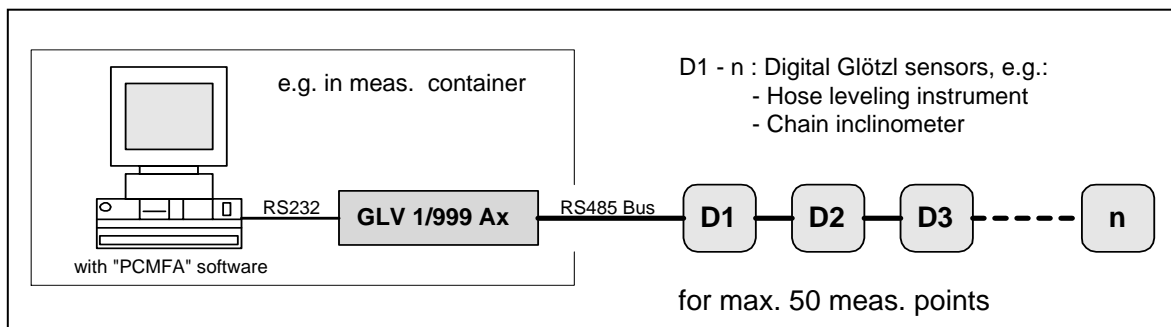
Art. No.: 56.20

- Is supporting all digital Glötzl sensors
- Flexible and versatilly usable measuring system
- Virtual measuring device on PC or laptop (on request also pocket PC)
- Graphic and numerical display of measured values
- Multiplex configuration possibilities
- Configuration and control by the approved Glötzl program GLA 7

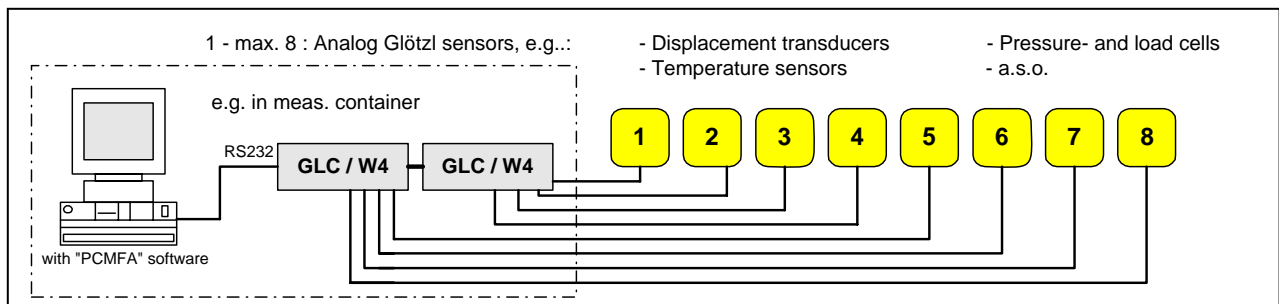
The PCMFA-measuring device is an independent program and is used as virtual measuring device on PC. By serial interface, the digital resp. digitalized sensors are interrogated by the Glötzl MFA protocol.

Principally, the three following measuring assemblages are possible:

1. Direct connection of digital Glötzl sensors



2. Connection of analog sensors



3. Connection of analog- and digital Glötzl sensors

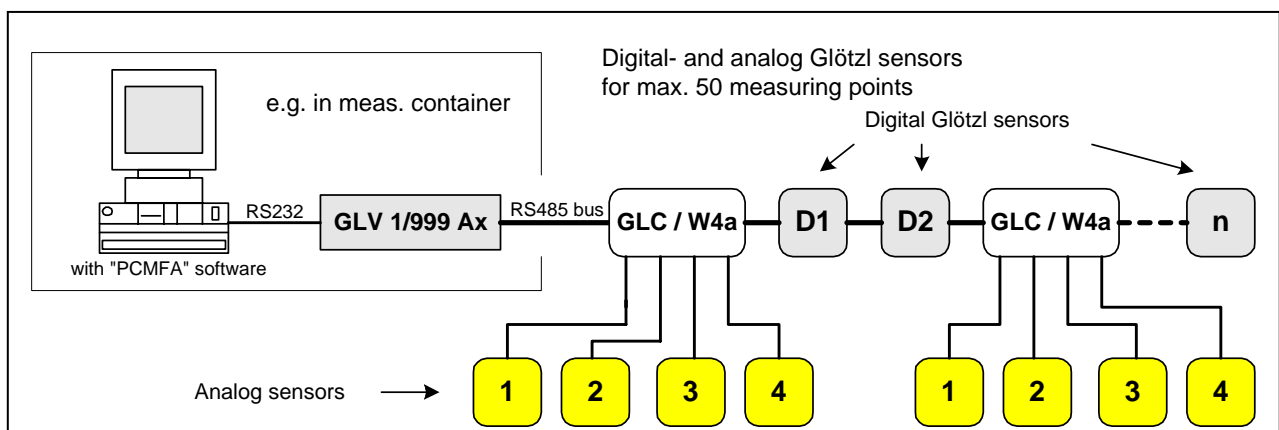




Fig.: Sensor supply

GLV 1/999 Ax:

The sensor supply GLV 1/999 Ax is delivering the current supply for the digital sensors.

Furthermore, it contains the interface conversion from RS232 (PC) to RS485 (bus) and also the reset control of the sensors being at the bus.

GLC 4/W4:

The sensor supply GLC 4/W4 is used for connection of max. four analog sensors. The sensors are internally digitalized with a resolution of 16 bits and can then directly be measured via RS232 with PC (PCMFA).

GLC 4/W4a:

Like GLC 4/W4, but with RS485 interface. By this, it is possible – in connection with the GLV 1/999Ax – to fit several analog sensors to the RS485 data bus.



Fig.: Sensor supply GLC 4/W4

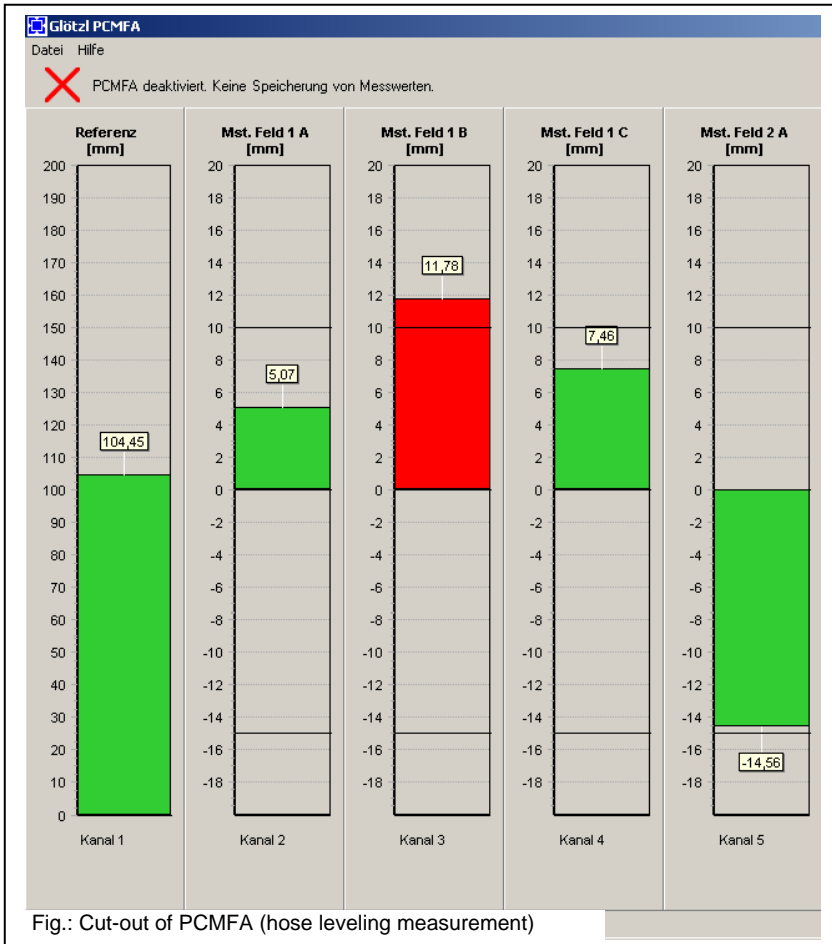


Fig.: Cut-out of PCMFA (hose leveling measurement)

The PCMFA measuring device has – among others – the following features:

- Measurement via serial interface with up to 19.200 baud (dependent on sensor)
- 1 up to 999 measuring channels
- Free configuration of measuring channels via the GLA 7
- Computation of measured values by freely definable formula
- Support of all conceivable units
- Definition of calculated measuring channels
- Smoothing operator: „Sliding average value by n measured values“
- In case of transfer errors, the inquiry for measured values can be repeated up to three times
- Setting of alarm limits
- Free configuration of bar display and sequence
- Optical display of short-dated alarm exceeds

Article Nos:

- Sensor supply GLV 1/999Ax, for connection of digital sensors (bus-capable), max. 50 measuring points
- Sensor supply GLC 4/W4, for connection of 4 analog sensors, max. 2 pcs. = 8 measuring points
- Sensor supply GLC 4/W4a, for connection of 4 analog sensors (bus-capable), max. 50 measuring points
- Software „PCMFA“ with graphic surface and parameterizing of the GLA
- Software „MFAlog“ as low-cost option

Subjekt to technical alternations