

GLÖTZL Baumeßtechnik

HYDRAULIC LOAD CELL

Type: KLN . . .
Art. No: 43. . .



Type: KLN 2000 M6

The Glötzl load cell consists of a piston pad with two rigid ring disks which are flexible by turned ring-dovetail grooves at the rims.

The pressure area of this piston pad is filled with a hydraulic fluid and has an exactly defined basic area. By this, a conversion of stress into load is ensured.

Measurement of load cell

- Direct measurement at calibrated manometer, models M, ME and D
- Hydraulic remote control with „GLÖTZL compensation valve“, model VHD
- Electric remote control with piezoelectric pressure converter and temperature sensor, models AI and AU
- Electric remote control with vibrating wire transducer and thermistor, model VW

Advantages of Glötzl anchor load cell

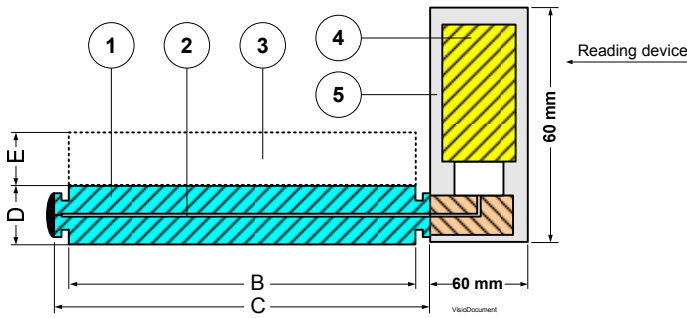
- | | |
|------------------------|--|
| - Hydraulic principle | - Easy assembly |
| - Robust construction | - Small temperature sensitivity |
| - Small overall height | - Insensitive against eccentric loads |
| - Small weight | - Calibration curve not necessary as cell is linearly indicating |

Technical data

- Measuring accuracy +/-1%
- Temperature error at 20 °C, temperature difference 1.2% of load range

Models M, MF and ME with direct reading manometer

Execution: Model M



System and execution:

1. Piston pad
2. Hydraulic fluid
3. Distribution plate (as accessory)
4. Indicating manometer
5. Protection cap

Technical data

Anchor load cell and distribution plate of steel St. 52

Measuring accuracy:

+/-1%

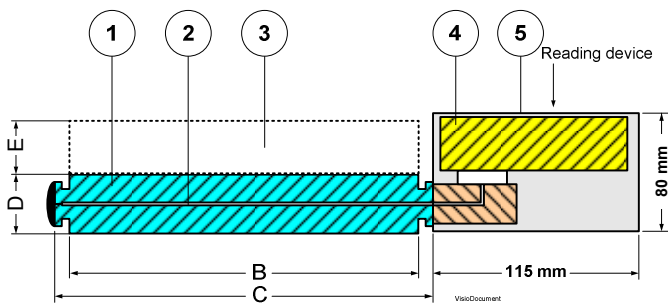
Temperature error:

1.2% at 20 °C temperature difference

Application range:

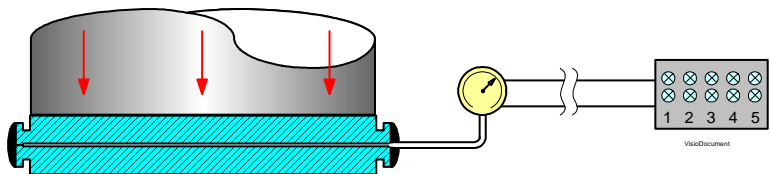
-30 °C up to 60 °C

Execution: Model MF



Model ME:

Like model M resp. MF with manometer. However, the manometer is additionally equipped with adjustable limit value switches for minimal resp. maximum load. The limits can be adjusted and are indicated as signal (lamp) in a central station when exceeding the given limits. The load cell is designed for placing on a plane plate. If this should not be possible, a further distribution plate should be used,



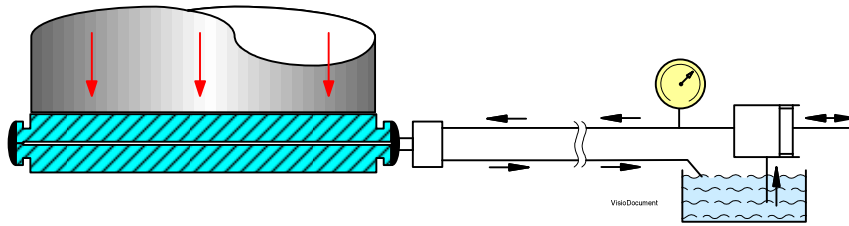
Delivery content: Load cell without distribution plate,
distribution plate as accessory for loading on small basic area

Load ranges and dimensions

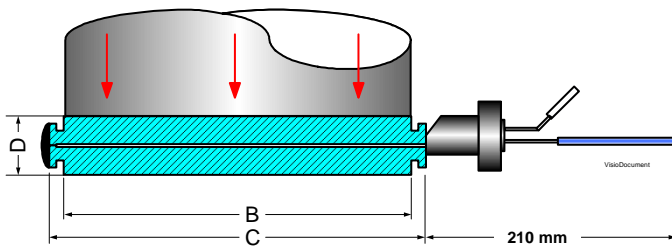
| Type KLN . . M, ME, MF. | Load [kN] | | Dimensions [mm] | | | | Weight [kgs] | |
|-------------------------|-----------|------|-----------------|-----|----|----|--------------|---------------------------|
| | nom. | max. | B | C | D | E | Cell | Cell + distribution plate |
| KLN 120 A M 2,5 | 120 | 140 | 78 | 98 | 28 | 30 | 3.0 | 4.5 |
| KLN 250 A M 2,5 | 250 | 300 | 111 | 132 | 28 | 30 | 4.0 | 6.5 |
| KLN 500 A M 4 | 500 | 600 | 131 | 152 | 28 | 40 | 5.0 | 9.5 |
| KLN 750 A M 4 | 750 | 900 | 161 | 182 | 28 | 40 | 6.0 | 12.5 |
| KLN 1000 A M 4 | 1000 | 1200 | 189 | 210 | 28 | 45 | 8.0 | 18.0 |
| KLN 2000 A M 6 | 2000 | 2400 | 218 | 242 | 30 | 65 | 11.0 | 40.0 |
| KLN 5000 A M 6 | 5000 | 6000 | 358 | 385 | 50 | 85 | 46.0 | 113.0 |

Further load ranges on request

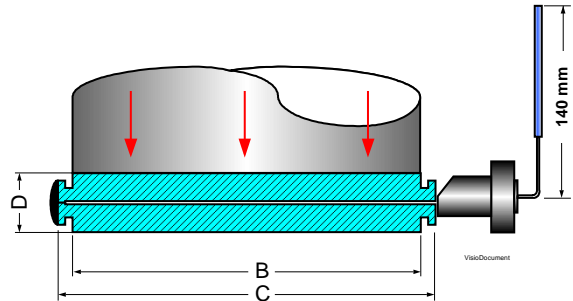
Model VHD, hydraulic remote control with GLÖTZL compensation valve



Model A



Model B



For recording of measuring values of load cells with compensation valve the following devices can be used:

- Hand pump with change-over manifold
- Automatic measuring and recording device
- Electric motorpump with change-over manifold

Load ranges and dimensions

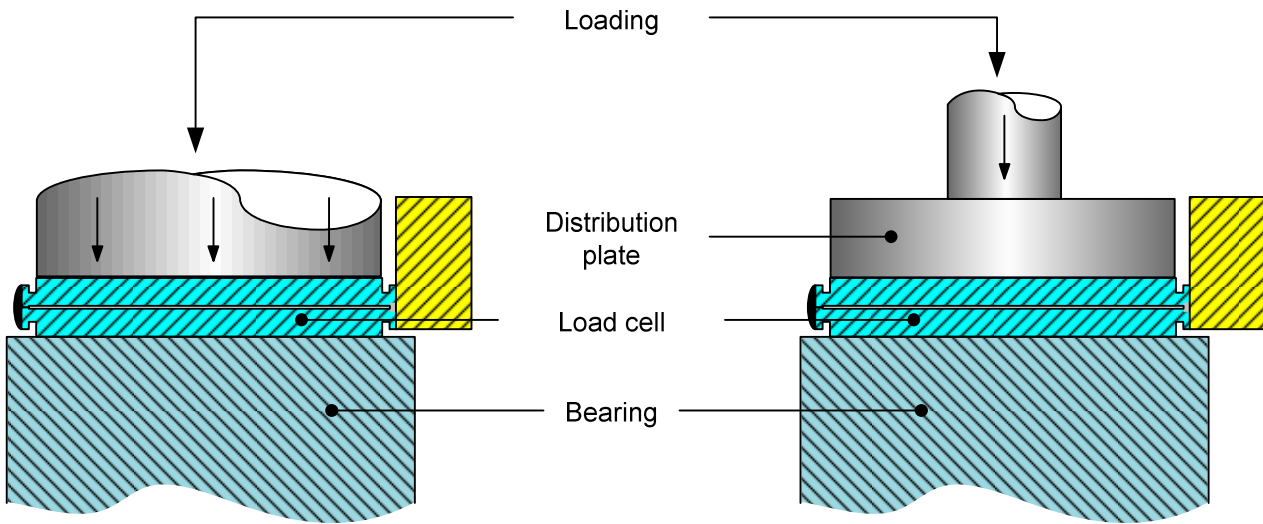
| Type KLN . . M, ME, MF. | Load [kN] | | Dimensions [mm] | | | | Weight [kgs] | |
|-------------------------|-----------|------|-----------------|-----|----|----|--------------|---------------------------|
| | nom. | max. | B | C | D | E | Cell | Cell + distribution plate |
| KLN 120 VHD 2,5 | 120 | 140 | 78 | 98 | 28 | 30 | 3.0 | 4.5 |
| KLN 250 VHD 2,5 | 250 | 270 | 111 | 132 | 28 | 30 | 4.0 | 6.5 |
| KLN 500 VHD 4 | 500 | 580 | 131 | 152 | 28 | 40 | 5.0 | 9.5 |
| KLN 750 VHD 4 | 750 | 880 | 161 | 182 | 28 | 40 | 6.0 | 12.5 |
| KLN 1000 VHD 4 | 1000 | 1200 | 189 | 210 | 28 | 45 | 8.0 | 18.0 |
| KLN 2000 VHD 4 | 2000 | 2400 | 274 | 298 | 30 | 70 | 16.0 | 40.0 |
| KLN 5000 VHD 4 | 5000 | 5500 | 410 | 438 | 44 | 85 | 32.0 | 113.0 |

Further load ranges on request

Mounting of load cell

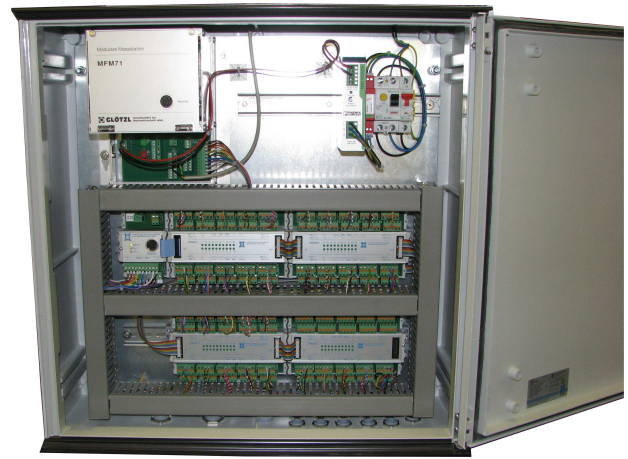
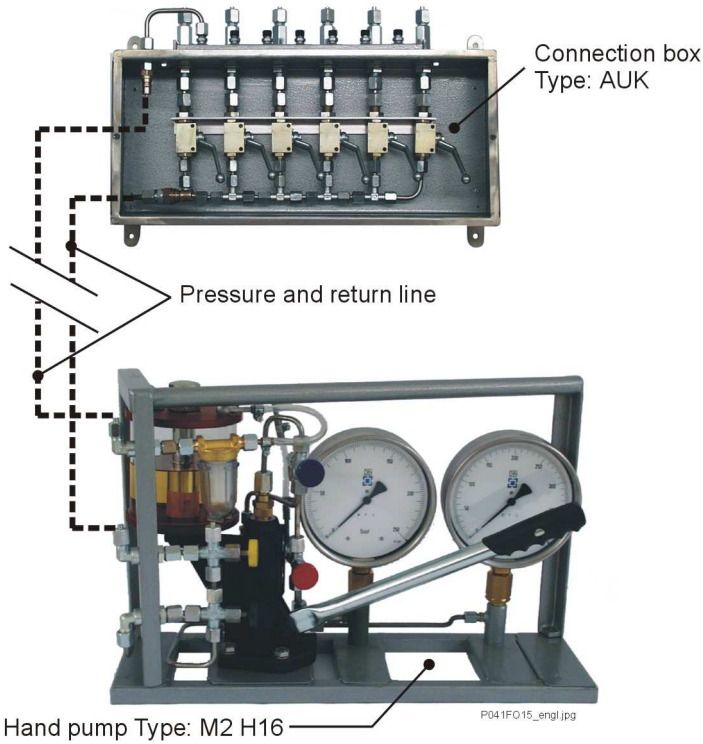
A. Between plane areas with the same area load

B. For loading on a small basic area a distribution plate is needed according to indicated dimension.



Manual measuring equipment

Automatic measuring device



Type MFM71

Subject to technical alterations

GLÖTZL Gesellschaft für Baumeßtechnik mbH · Forlenweg 11 · 76287 Rheinstetten · Germany

☎ +49 (0)721 51 66 - 0 · 📠 +49 (0)721 51 66 - 30 · 🌐 <http://www.gloetzl.com> · ✉ info@gloetzl.com