

# GLÖTZL Baumeßtechnik

## ANCHOR LOAD CELL

Type: TK . . .  
Art. No.: 40. . .

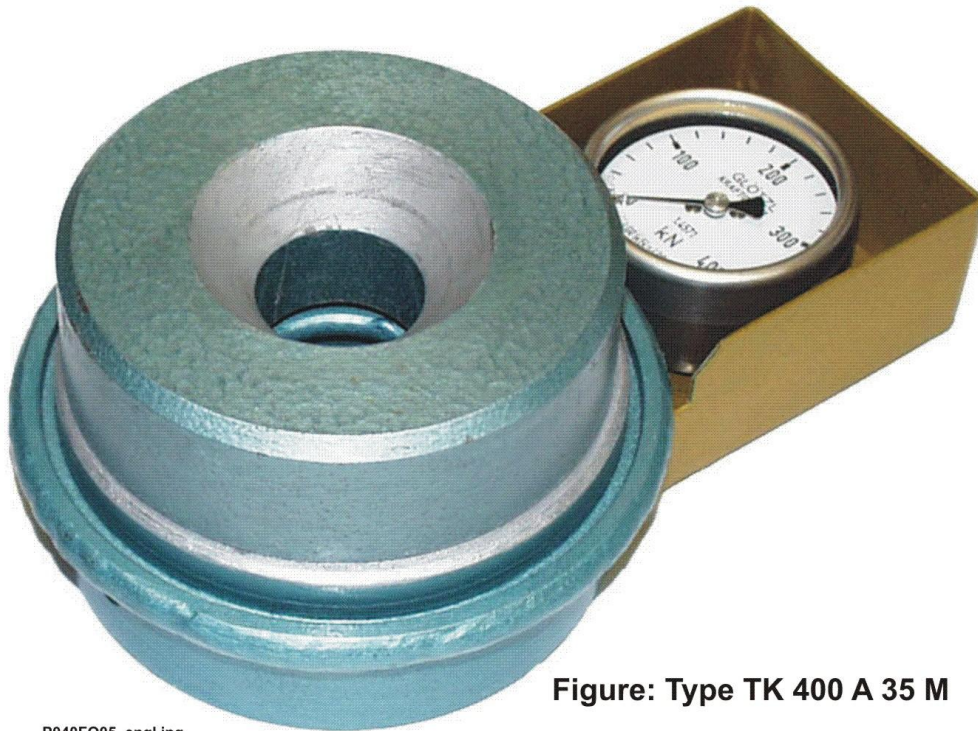


Figure: Type TK 400 A 35 M

P040FO05\_engl.jpg

The Glötzl anchor load cell consists of a piston pad of two rigid disk plates which are flexible by turned ring-dovetail grooves at the rims.

The pressure area of this piston pad is filled with a hydraulic fluid and has an exactly defined basic area which enables the conversion of stress into load.

### Technical data:

Measuring accuracy: +/-2 %

Temperature error: 1.2 % at 20 °C temperature difference

Manometer Ø 63 mm, material 1.4571, watertight protection cover

On request with glycerin filling

Weight with distribution plate 5 kgs

Material of piston pad St. 52-3

The type TK... is a further development of the standard instruments type K....It has especially been developed for an application in tunnel constructions and therefore has a robust design and can easily be handled.

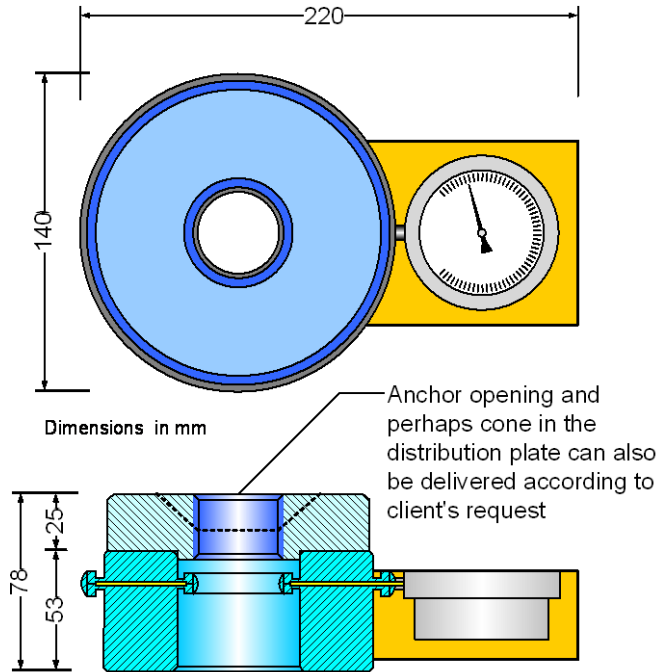
The lower layer of the sensor is constructed in such a way that no additional distribution plate is necessary. There are no special specifications in regard to the quality of the supporting area. The upper distribution plate is available in two models, with plane supporting area or with conical conterbore for a clamping nut.

**Advantages:**

- Hydraulic principle
- Robust construction
- Easy assembly
- Insensitive against eccentric loads up to 5°
- Direct measurement at calibrated manometer
- Low temperature sensitivity
- Small weight

**Dimensions:**

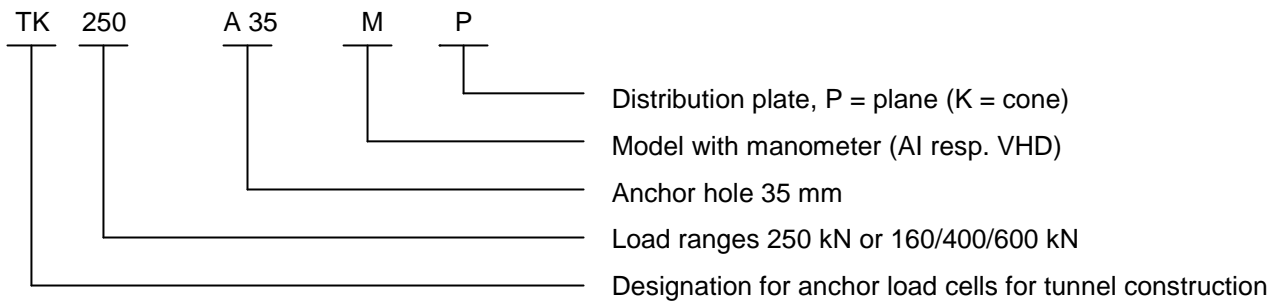
- Overall height: 75 mm
- Anchor hole: 35 mm
- Diameter of piston pad: max. 140 mm
- Overall height with manometer: 220 mm
- Load ranges: 0 - 160 / 250 / 400 and 600 kN



**Models:**

Type TK...A	35	M	with direct reading manometer
Type TK...A	35	AI	with electric pressure transformer 4 - 20 mA for remote control
Type TK...A	35	VHD	with hydraulic compensation valve for remote control

**Type code:**



P040FO01.tif

Figure: Anchor load cell, type TK 250 A 35 M with distribution plates, plane and conical

Subject to technical alternations