

# GLÖTZL Baumeßtechnik

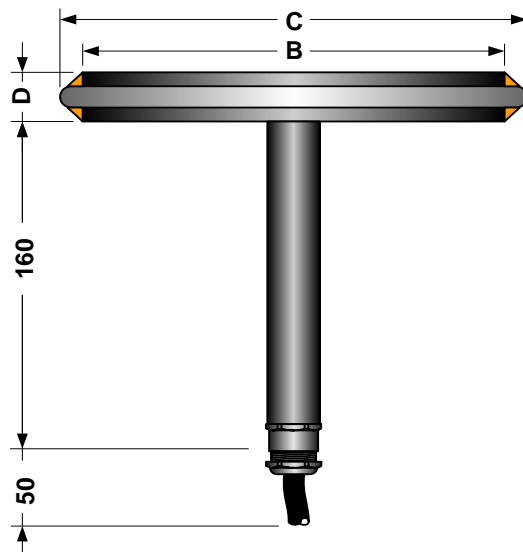
## LOAD CELL

Models KE

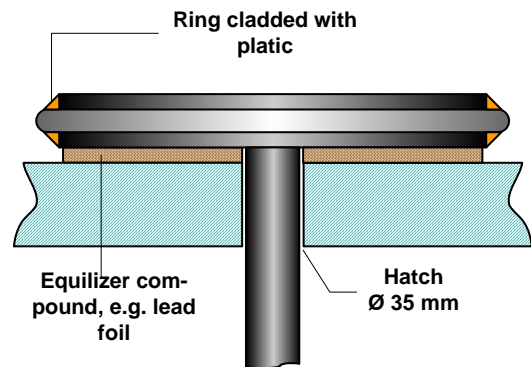
Type: KLN . . . KE . . .

Art. No.: 43. . .

Construction:



Installation possibility:



The load cell, type KLN . . . KE, system Glötzl, with hydraulic-electric pressure converter is designed for construction and installation in support plates. The Glötzl load cell consists of a piston pad with two rigid ring disks which are flexible by turned ring-dovetail grooves.

The annular gap between the pads is filled with a hydraulic fluid which is recording the pressure on the defined area. In the case of the here presented hydraulic / electric models, the hydraulic pressure is converted into an electric signal by a piezoelectric pressure converter (models DK, DKV) resp. by a vibrating wire transducer (VW). Additionally, the cell can optionally be delivered with an installed temperature sensor (AD 590) resp. with a thermistor.

The sensor and the corresponding electronics are laterally placed in a compact, space-saving stainless steel housing with cable connection.

### Model DK:

Equipment with piezoelectric pressure converter, 4-conductor system, supply 4 mA constant current resp. 10 V DC, output signal 0 up to 1000 mV max.

### Model DKV:

Equipment with piezoelectric pressure converter, 2-conductor system, installed amplifier, supply 10 up to 30 V DC (calibration with standard = 24 V DC), output signal standardized 4 up to 20 mA for the measuring range 0 up to maximum load.

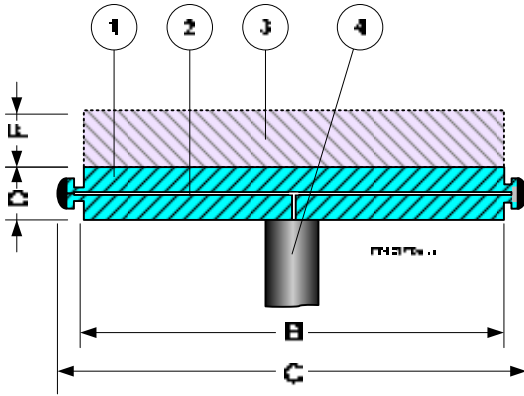
For additional temperature sensor AD 590 (model DKV/ T) a 4-core cable is required.

### Model VW

Equipment with vibrating wire transducer and thermistor, 4-conductor system. For this equipment, a special readout unit is required resp. the hand measuring device type SMC 2.02 or the multimeter, type VMG 14.1.

## Models DK and DKV with electric remote control

### Load ranges and dimensions



### System and construction:

1. Piston pad
2. Hydraulic fluid
3. Distribution plate
4. Electric pressure converter

Type KLN..DK(DKV), (VW)	Load [kN]		Dimensions [mm]				Weight [kgs]	
	nom.	max.	B	C	D	E	Cell	Cell + distribution plate
KLN 120 KE DK 2,5	120	140	81	100	28	30	2.5	4.0
KLN 250 KE DK 2,5	250	300	125	142	28	30	4.0	6.5
KLN 500 KE DK 4	500	600	125	142	28	40	4.0	9.5
KLN 750 KE DK 4	750	900	158	180	28	40	6.0	12.5
KLN 1000 KE DK 4	1000	1200	184	206	28	45	7.0	17.0
KLN 1400 KE DK 4	1400	1550	218	240	28	45	11.0	24.0
KLN 2000 KE DK 6	2000	2400	218	240	30	65	11.0	40.0
KLN 5000 KE DK 6	5000	6000	350	375	50	85	45.0	112.0

Further load ranges on request



### Digital readout unit for two meas. Channels type FMG 01-2

- Load and temperature
- Direct display of load in kN
- Display temperature °C
- Installed current supply with charger
- Robust housing

### Technical data (piezoelectric transducer)

Measuring accuracy +/- 0.5%  
 Temperature error < 0.1% °C f.s.  
 Application range -40 °C up to +70 °C  
 Permissible tubing length max. 1000 m



### Hand Measuring device for Vibrating Wire Transducer Typ SMC 2.02

- Simple handling
- Mains independent
- Small weight
- Illuminated display
- Installed current supply with charger
- Display temperature °C

Measuring range: 0,5 - 3,5 kHz  
 Resistance: 0 – 2200 Ω  
 Inducing impulse: 60 V/1 ms  
 Measuring error: 0,05 – 0,1 %



### Readout Unit Type VMG 14.1

- Load
- Pressure
- Display temperature °C
- All sensors with output signal 4 – 20 mA and 0 – 20 mA
- Displacement transducer
- LVDT, e.g. fissuremeter
- Vibrating wire transducer (VW)
- Resistive strain gauge (DMS)
- Installed current supply with charger
- Robust housing

Subject to technical alternations